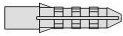


✧ Packaging Contents

Please check the contents of your new Network IP Camera when you unpack the package. If any item is missing, please contact your dealer of purchase for help. The package includes the following items:

- Network IP Camera x 1ea
- Bundle NVR & CMS software CD x 1ea
- Quick User manual x 1ea
- Accessory package x 1 set.



➔ Anchor 7x27 * 4 ea



➔ Screw 4 x27 Tp1 Bnd Sus *4 ea



➔ Hexagon wrench 3.0mm L type * 1 ea

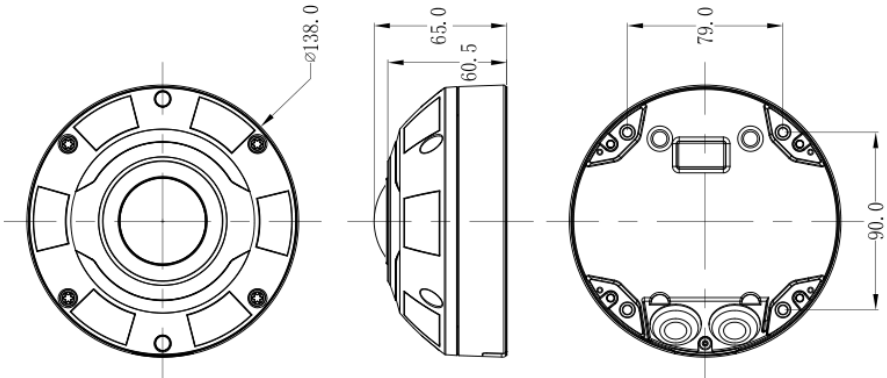


➔ Mount hole sticker * 1ea



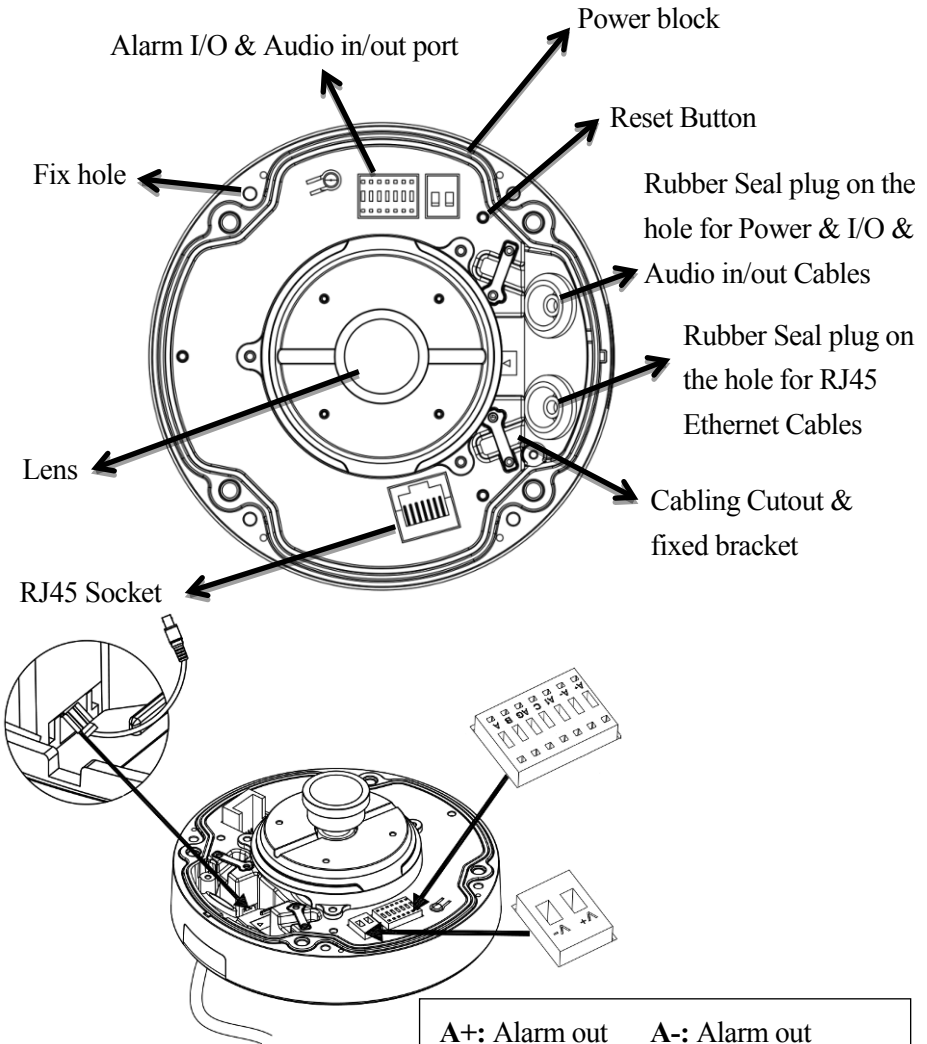
➔ RJ-45 Female- Female Converter * 1ea(Optional)

✧ Product Dimension

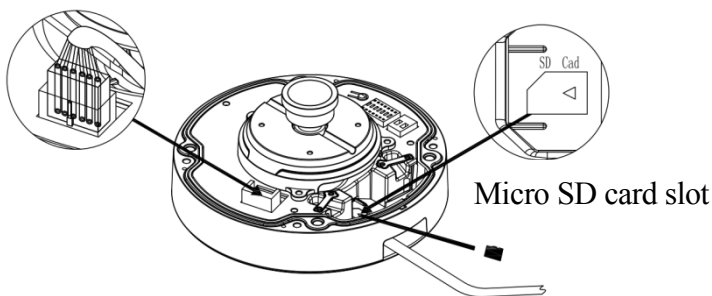



❖ Product Parts Description

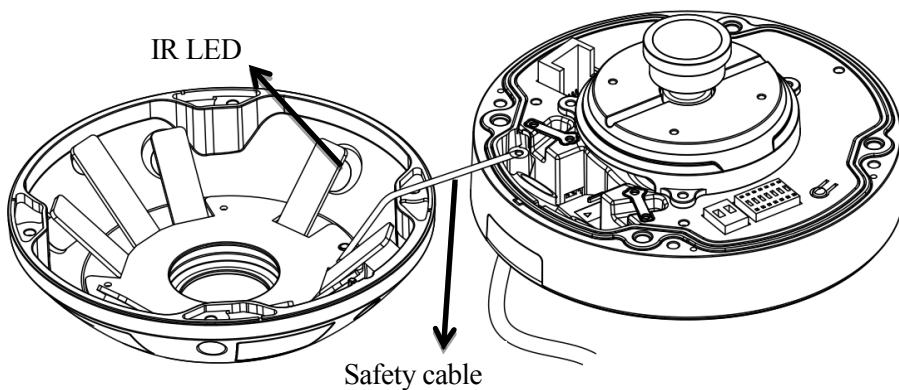
Inner View



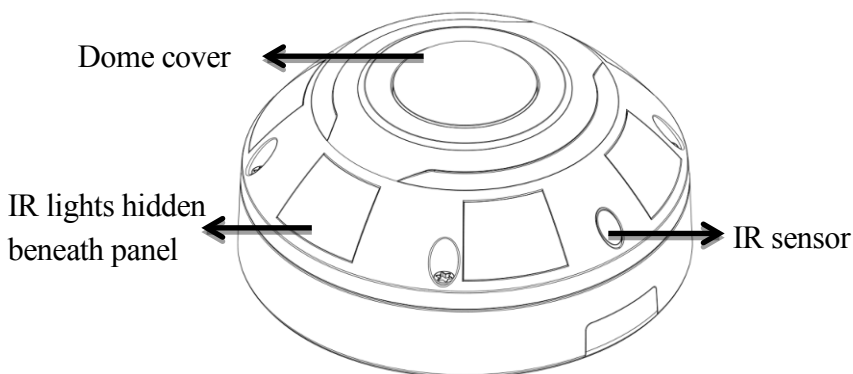
A+: Alarm out	A-: Alarm out
AI: Alarm in	C: Alarm in
A/B: Audio in/out	AG: Audio ground
V+: DC12V(+)	V-: DC12V(+)



 The SD Card, TV out and alarm in/out are optional function (**For FE-6MIPS06-F01-F only**).



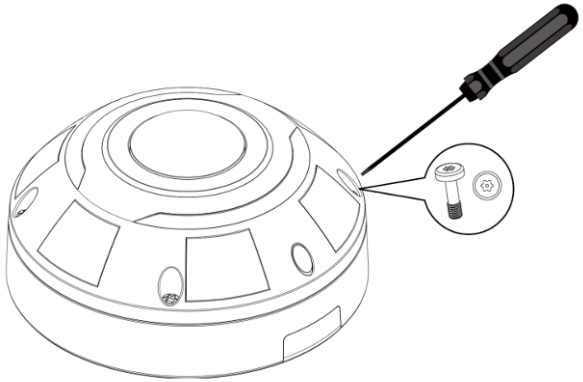
Outer View (IK10-rated Vandal-proof Dome Housing)



Hardware Installation

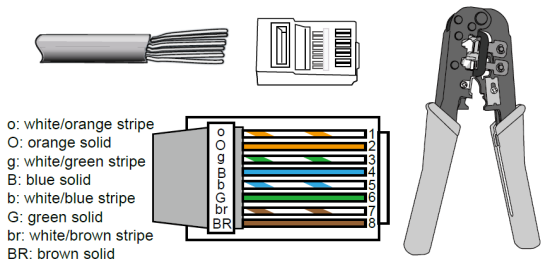
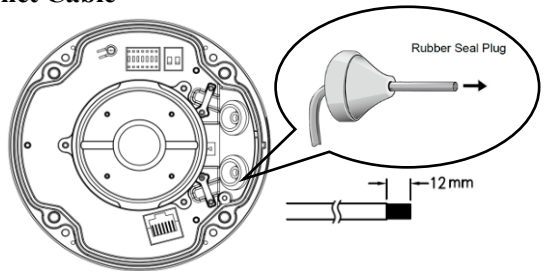
1. Opening Dome Cover

First, use the supplied screwdriver to loosen the four screws and detach the dome cover from the camera base. Then, follow the steps below to install the camera to either a ceiling or a wall.



2. Connect & assembly RJ45 Ethernet Cable

- Drill a hole on the rubber seal plug and insert an UTP cable through the opening.
- Strip part of the sheath from the UTP cable.
- You will need an RJ45 crimping tool to attach the Ethernet wires to a connector. When done, connect the cable to the camera's Ethernet RJ45 socket.
- Feed the Ethernet cable from the bottom of the camera and through the hole. Attach the rubber seal plug for water proofing and then fix cable with the fixed bracket.



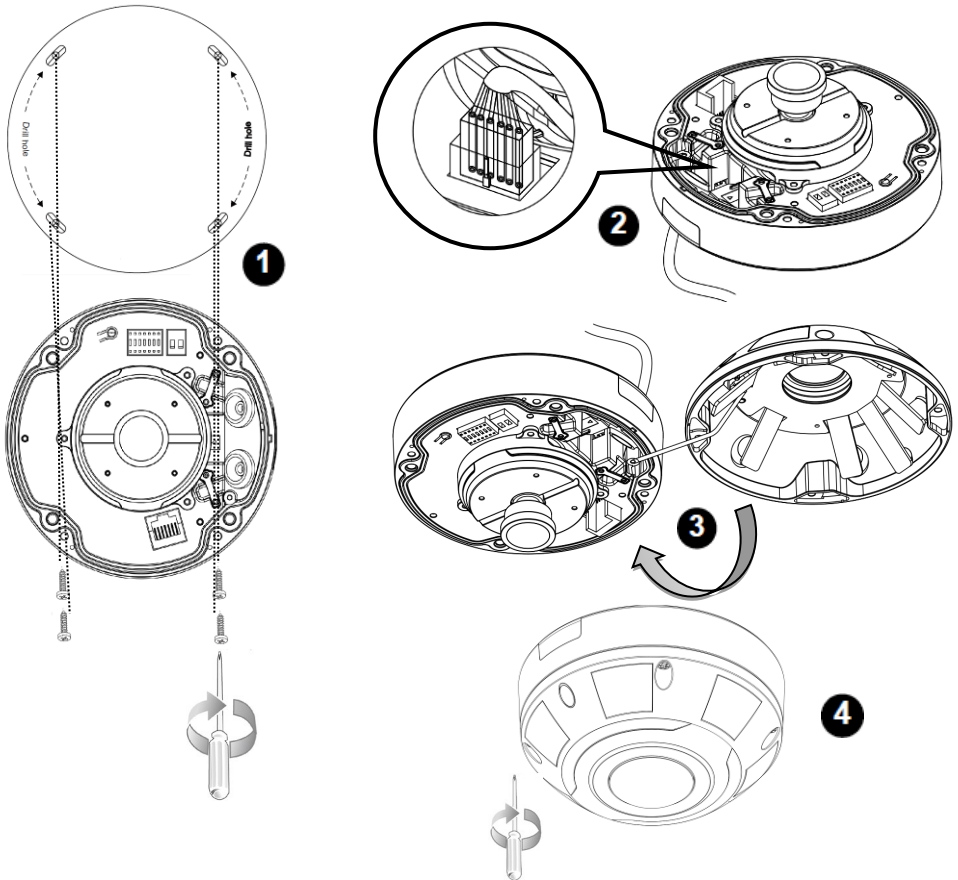
3. Connecting DC Power Cable

- Add the supplied rubber washer to the cable as shown in the picture.
- Feed the cable from the bottom of the camera and fix the cable with the bracket.



Connect the DC supplied power & alarm I/O& Audio in/out cables.

4. Ceiling/Wall Mount installation



- a. Attach the supplied alignment sticker for camera base to the ceiling/wall, using the three circles on the sticker, drill three pilot holes into the ceiling. Then hammer the four supplied plastic anchors into the holes and then secure the camera base to the ceiling/wall with four supplied screws.
- b. Drill a cable hole on the ceiling/wall, and feed the cables through the hole, then connect the Ethernet cable and the I/O cable to the socket.
- c. Attach the dome cover into the camera base.
- d. Secure the four screws with the supplied star driver. Make sure all camera parts are securely installed.

❖ Network Deployment

General Connection (without PoE)



1. Connect RJ45 Ethernet cable to a switch. Use a Category 5 Cross Cable when your network camera is directly connected to PC.
2. Connect the power cable from the Network Camera to a power outlet.

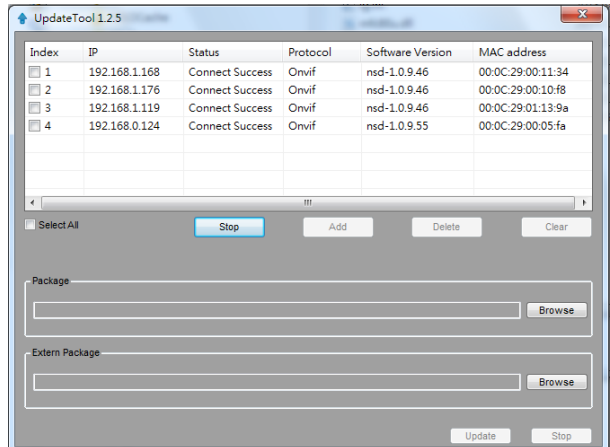
Power over Ethernet (PoE)



The Network Camera is PoE-compliant, allowing transmission of power and data via a single Ethernet cable. Follow the above illustration to connect the Network Camera to a PoE-enabled switch via Ethernet cable.

❖ Assigning an IP Address

You must know the IP address of IP Camera before you can connect to it. The IP Camera will use DHCP server on your local network to obtain an IP address automatically by default. So, you can check your DHCP server's IP address lease table to find the IP address of IP Camera



or also can use the utility program 'IPSerch.exe' to find the IP address of IP Camera, which comes with the CD-ROM. Please follow up the processes as below to find out the IP address of IP camera by "IPSearch utility".

Step 1. The "IPSearch.exe" program will search for I-View's IP cameras on the same LAN.

Double click this program show the window as below.

Step 2. Press "Search" button to search for all IP Cameras on your local network.

Step 3. If you need to change IP address on the selected IP Camera, change the IP address and Gateway IP, then click the "OK" button to save the setting.

Step 4. If you no longer need to use this utility, click "Exit" button to close it.

Step 5. Select the device which list on the left section of diagram.



1. The default User name / Password is "admin / 123456" and IP address is 192.168.0.123.
2. Push the "Reset button" become to default setting when IP camera cannot connection.
3. Make sure all IP Cameras are powered on and connect to local network first.
4. The RTSP Streaming command code: **Main streaming:** rtsp://IP Address:Port/media/live/1/1

Sub streaming: rtsp://IP Address:Port/media/live/1/2

✧ Run the IP camera from I.E. Browser

OS: Microsoft Windows 2000/XP/Vista/7/8/10 and Browser: I.E.7 or above.

✧ Install ActiveX Plug-in on I.E. Browser

You can connect to the IP camera by Internet Explorer or other web browsers for remote viewing by entering IP address in address bar.

When you connect to IP Camera, the use login screen will appear when you get connected.

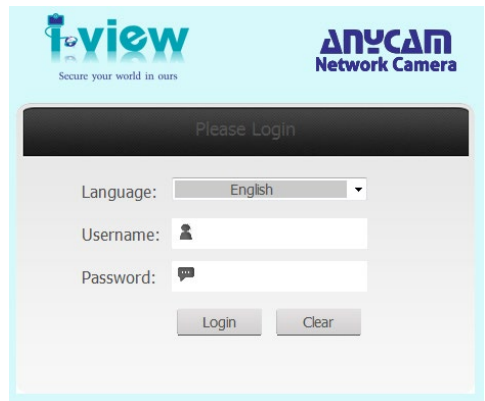
Please entry the user name / password to login.



The default User name / Password is

"admin / 123456" and IP address is

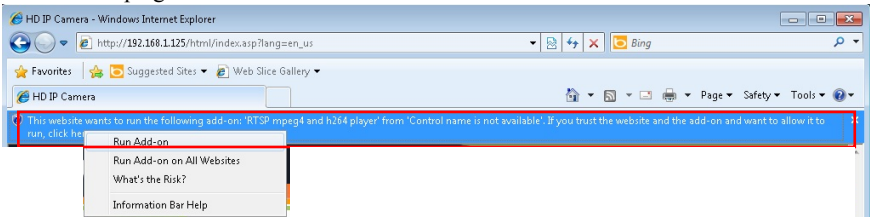
192.168.0.123



If you connect to IP Camera first time, you'll see the following message; this message prompts you that you need to install ActiveX plug-in before you can see the video from IP Camera.

❖ IE 8 and earlier version:

Right click the indication bar and click: “Install This Add-on for All Users on This Computer...” to install ActiveX plug-in.



❖ IE 9 version:

Click ‘Install’ button located at the bottom of I.E. to install ActiveX plug-in. If you’re prompted that the Windows Firewall has blocked some features of this program. Click “**Allow access**” button to enable the IP Camera function properly. When you’re installing Internet Explorer plug-in, you may also be prompted the diagram. Please click “**Yes**” to allow changes.

❖ IE 10 version:

Click ‘Install’ button located at the bottom of I.E. to install ActiveX plug-in, the process as below: Click “**Internet options**” section, then choice “**Security**” tab >> “**Trusted sites**” and change the bar to “**Low**”. Click “**Sites**” to add the trusted site for this IP camera. Please refer to the diagram.

